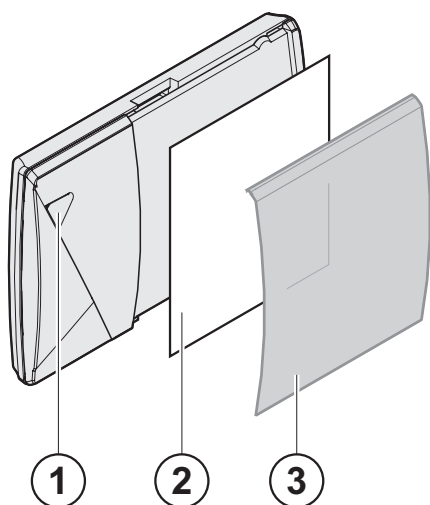
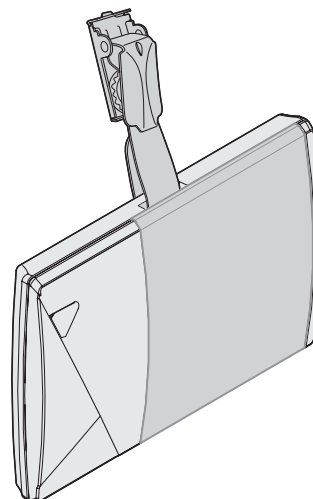


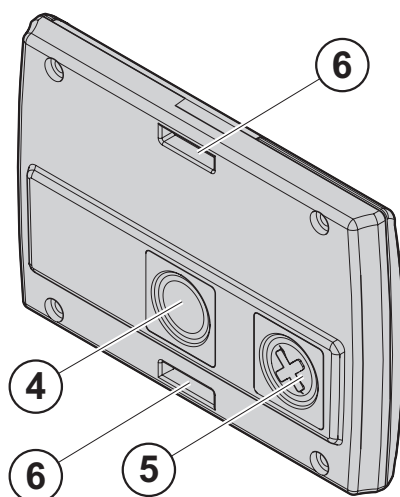
# Staff badge

The SmartLiberty staff badge is a customisable name badge allowing the sending of a call for assistance and assault/SOS alarm, acknowledgement of alarms and accompanying of residents suffering from disorientation.



## Staff badge, front

- 1 Reassurance light (LED)
- 2 Name tag
- 3 Transparent cover



## Staff badge, back

- 4 Assistance or assault/SOS call button
- 5 Cancellation button
- 6 Fastening for clip

## Technical features

Long-range technology	HF 868.3 MHz, bi-directional, Pmax 11 dBm (12.6 mW)
Proximity technology	13.56 MHz, passive RFID technology (ISO 15693 ICODE SLI R/W)
Localisation technology	LF 125 kHz receiver Infrared (940 nm, 36 kHz)
Alarm cancellation	Transmitter 125 kHz, 50 cm
Feedback display	Multicolour LED
Supervision	Every 30 s via HF
Power	Battery CR2450, 3 V, 500 mAh (interchangeable)
Battery life	1 year (depending on usage)
Protection and watertightness	IP67w (waterproof in shower and bath)
Dimensions	88 x 59 x 13 mm
Weight	56 g
Environmental conditions	-20 °C to +60 °C
Housing	Latex-free plastic, black (buttons blue)
Attachment	Clip with clamp/neck strap
Norms and standards	EN 300 220-2, EN 300 330, EN 301 489-1, EN 301 489-3, EN 62368-1, EN 62479-2010
Production	Made in Europe

## References

Staff badge	SLB_STA_BADGE_V1
Options	See <a href="http://www.smartliberty.ch">www.smartliberty.ch</a>