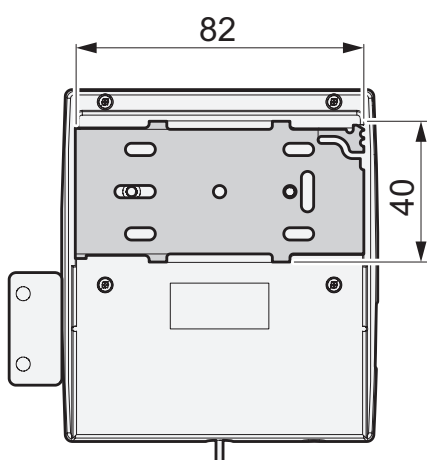
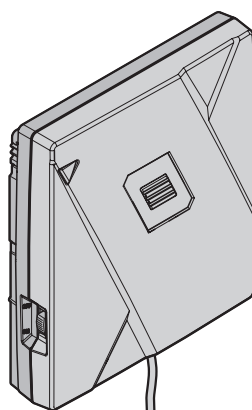
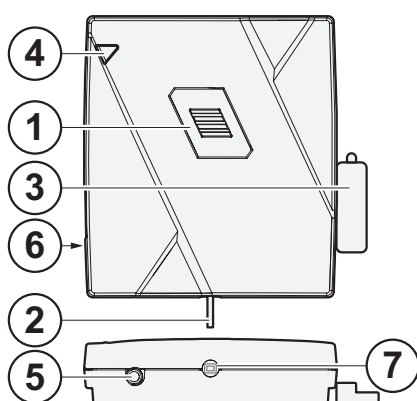


# Sensor module

The SmartLiberty wireless sensor module allows the resident to call for help from their room or shared bathrooms. To do this, they must either pull the cord or press the call button. This module can also be used as a door opening detector or as a wireless entry module.



Mounting plate



## Sensor module

- 1 Call button
- 2 Pull cord
- 3 Door opening detector (with magnet) (optional)
- 4 Reassurance light (LED)
- 5 Jack input
- 6 On/off switch
- 7 Cable strain relief (optional)

## Technical features

Long-range technology	HF 868.3 MHz, bi-directional, P <sub>max</sub> 11 dBm (12.6 mW)
Proximity technology	13.56 MHz, passive RFID technology (ISO 15693 ICODE SLI R/W)
Localisation technology	LF 125 kHz receiver Infrared (940 nm, 36 kHz)
Sensor	Magnetic sensor (3 positions) Call cord Mono jack input 3.5 mm, removal monitored
Feedback display	Multicolour LED
Supervision	Every 30 s via HF
Power	Battery CR2450, 3 V, 500 mAh (interchangeable)
Battery life	1 year (depending on usage)
Protection and watertightness	IP65 (waterproof against jets of water)
Dimensions	90 x 100 x 22 mm
Weight	200 g
Environmental conditions	-20 °C to +60 °C
Housing	Latex-free plastic, black (button red)
Attachment	Wall mounting plate
Norms and standards	EN 300 220-2, EN 300 330, EN 301 489-1, EN 301 489-3, EN 62368-1, EN 62479-2010
Production	Made in Europe

## References

Sensor module	SLS_MODULE_V1
Options	See <a href="http://www.smartliberty.ch">www.smartliberty.ch</a>