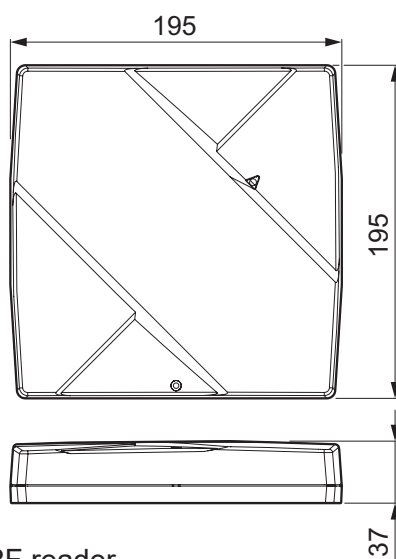
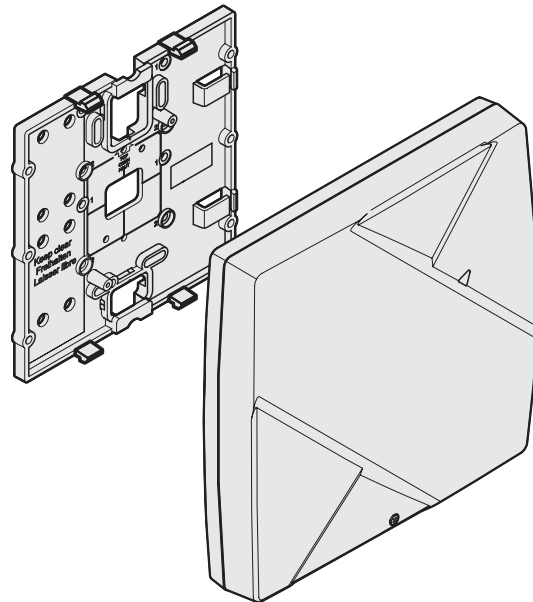
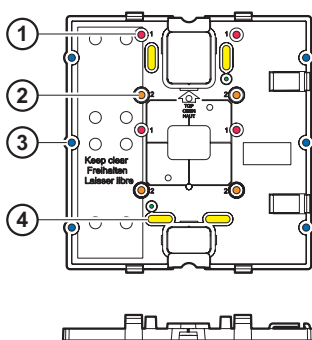


# RF reader

The SmartLiberty RF reader is a bi-directional radio frequency antenna (RFID) which transmits the information from wireless SmartLiberty badges and localisation markers via a TCP/IP interface to a server.



RF reader



With universal mounting plate

Types of installation:

- 1 Offset on recessed box CH
- 2 Centred on recessed box CH
- 3 On generic recessed box
- 4 Free

## Technical features

Long-range technology	HF 868.3 MHz, bi-directional
Proximity technology	13.56 MHz, passive RFID technology (ISO 15693 ICODE SLI R/W)
Range	Indoor: up to 40 m (depending on the building) Outdoor: up to 500 m (line of sight)
Sensor	Vandalism sensor
Feedback display	Multicolour LED
Interface	Ethernet 10/100 (RJ45)
Supervision	Every 30 s via TCP/IP
Supply voltage	PoE 802.3af 24 VDC Performance: 3 W at 24 VDC
Protection and watertightness	IP40 IP65 dust and waterproof kit (optional)
Dimensions	195 x 195 x 37 mm
Weight	390 g
Environmental conditions	-20 °C to +50 °C 95% humidity (non-condensing)
Housing	Polycarbonate, halogen-free, white
Attachment	Universal mounting plate (wall and ceiling)
Norms and standards	EN 300 220-2, EN 301 489-1, EN 301 489-3, EN 62368-1, EN 62479-2010
Production	Made in Europe

## References

Long-range RF reader	SLR_RFREADER_V1
Options	See <a href="http://www.smartliberty.ch">www.smartliberty.ch</a>