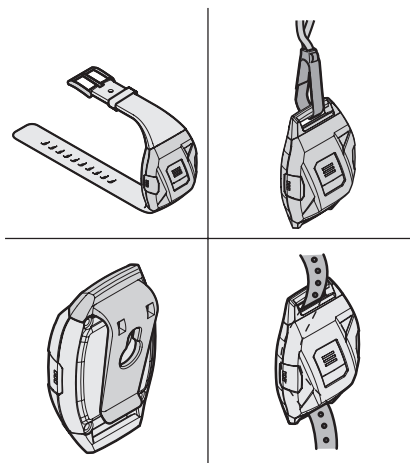
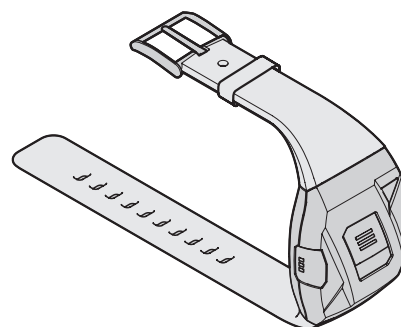
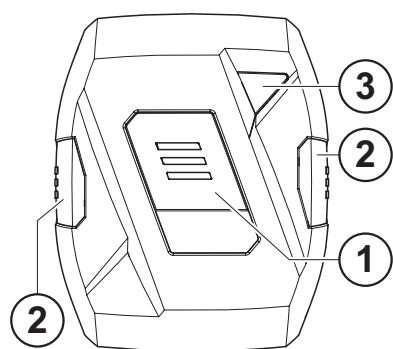


# Resident badge

The SmartLiberty resident badge allows residents to place a mobile resident call or a localised service call. This badge can be configured to detect residents who are disoriented.



## Attachment options



- 1 Resident call button
- 2 Service call button
- 3 Reassurance light (LED)

## Technical features

Long-range technology	HF 868.3 MHz, bi-directional, P <sub>max</sub> 11 dBm (12.6 mW)
Proximity technology	13.56 MHz, passive RFID (ISO 15693 ICODE SLI R/W)
Localisation technology	LF 125 kHz receiver Infrared (940 nm, 36 kHz)
Sensor	Tamper sensor
Feedback display	Multicolour LED
Supervision	Every 30 s via HF
Power	Battery CR2450, 3 V, 500 mAh (interchangeable)
Battery life	1 year (depending on use)
Protection and watertightness	IP67 (waterproof in shower and bath)
Dimensions	40 x 50 x 16 mm
Weight	44 g
Environmental conditions	-20 °C to +60 °C
Housing	Latex-free plastic, black (different colours for buttons)
Attachment	Wristband Wristband with safety clasp (optional) Disposable bracelet (optional) Lanyard with choke protection (optional) Belt clip (optional)
Norms and standards	EN 300 220-2, EN 300 330, EN 301 489-1, EN 301 489-3, EN 60601-2:2015, EN 62368-1, EN 62479-2010
Production	Made in Europe

## References

Resident badge	SLB_RES_BADGE_V1
Options	See <a href="http://www.smartliberty.ch">www.smartliberty.ch</a>