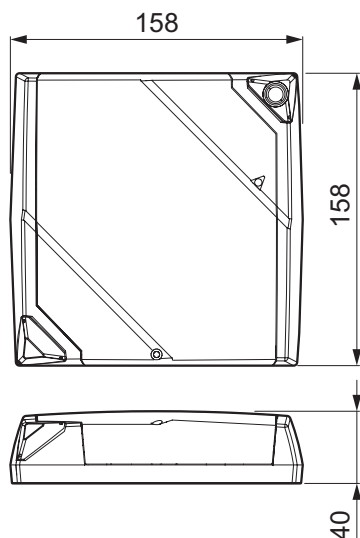
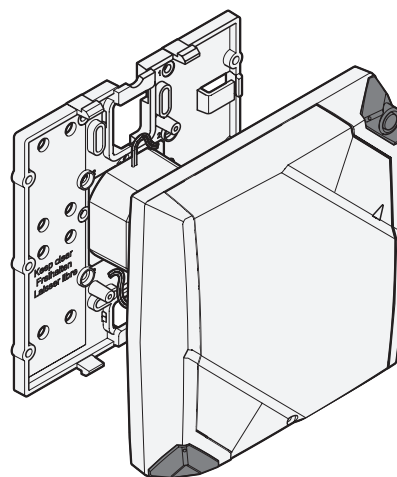
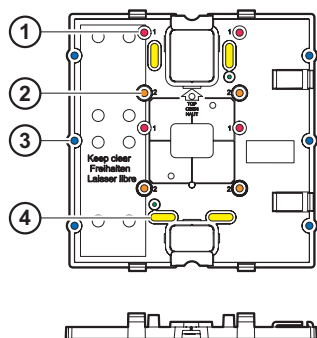


Localisation marker

The SmartLiberty localisation marker enables the localisation of SmartLiberty badges by combining infrared (IR) and low frequency (LF) signals.



Localisation marker



With universal mounting plate

Types of installation:

- 1 Offset on recessed box CH
- 2 Centred on recessed box CH
- 3 On generic recessed box
- 4 Free-standing

Technical features

Long-range technology	HF 868.3 MHz, bi-directional, P _{max} 11 dBm (12.6 mW)
Proximity technology	13.56 MHz, passive RFID technology (ISO 15693 ICODE SLI R/W)
Localisation technology	LF 125 kHz transmitter Infrared (940 nm, 36 kHz)
Localisation range	Standard: adjustable between 0 – 5 m Loop: up to 100 m
Sensor	Vandalism sensor Door opening sensor (optional) Motion sensor
Feedback display	Multicolour LED
Supervision	Every 30 s via HF
Supply voltage	Battery 3.6 V, 7.7 Ah (replaceable) 24 VDC, 230 VAC (with universal mounting plate 230 VAC); For ground loop only 230 VAC; Optional emergency battery
Battery life	1 year (depending on usage)
Protection and watertightness	IP40; IP65 dust and waterproof kit (optional)
Dimensions	158 × 158 × 40 mm
Weight	320 g
Environmental conditions	–20 °C to +60 °C 95% humidity (non-condensing)
Housing	Polycarbonate, halogen-free, white (black corners)
Attachment	Universal mounting plate (wall and ceiling) Anti-vandalism screws (optional)
Norms and standards	EN 300 220-2, EN 300 330, EN 301 489-1, EN 301 489-3, EN 62311, EN 62368-1, EN 62479-2010
Production	Made in Europe

References

Localisation marker	SLM_MARKER_V1
Options	See www.smartliberty.ch