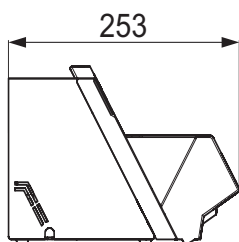
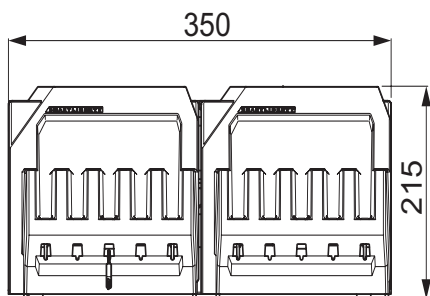
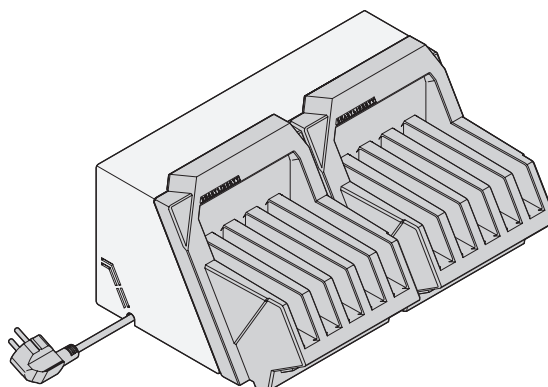
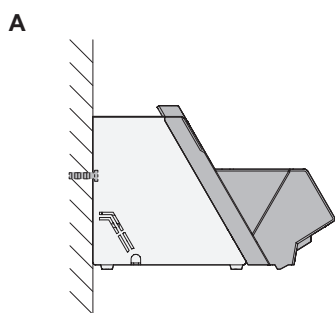


ChargerBox

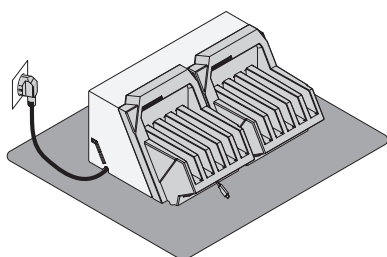
The SmartLiberty ChargerBox is used to charge several smartphones simultaneously and saving much space. The smartphone chargers are connected inside the ChargerBox and are individually interchangeable.



ChargerBox



B



Types of installation

- A Mounting on a wall
- B Mounting on table

Technical features

Number of charging slots	10
Supply voltage	230 VAC Performance: See performance of the smartphone chargers used
Protection and watertightness	IP40
Dimensions	215 × 350 × 253 mm
Weight	1900 g
Environmental conditions	According to the charger manufacturer
Housing	Aluminium, white
Cover	PC-ABS plastic, black
Attachment	On table with non-slip base 2 hanging holes for wall mounting
Production	Made in Europe

References

ChargerBox	SLC_CHARGERBOX_V1
Options	See www.smartliberty.ch